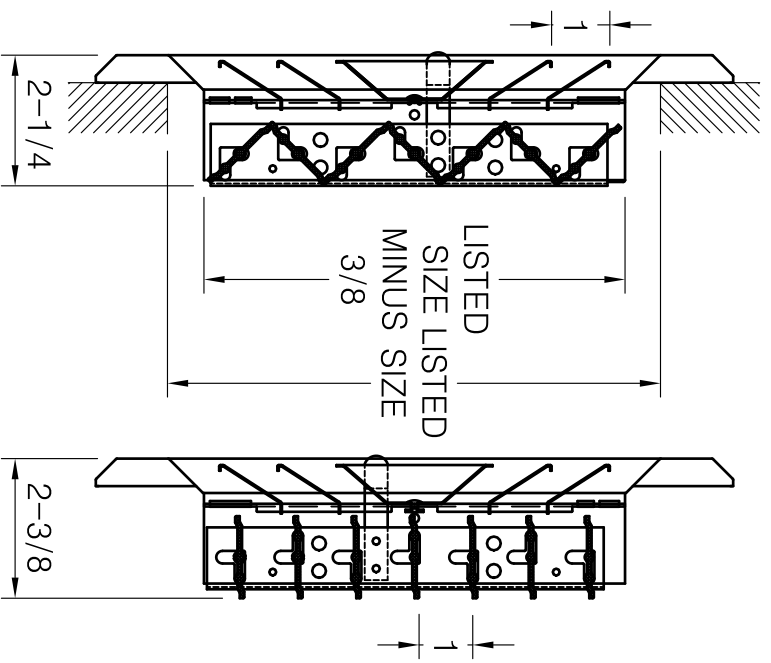
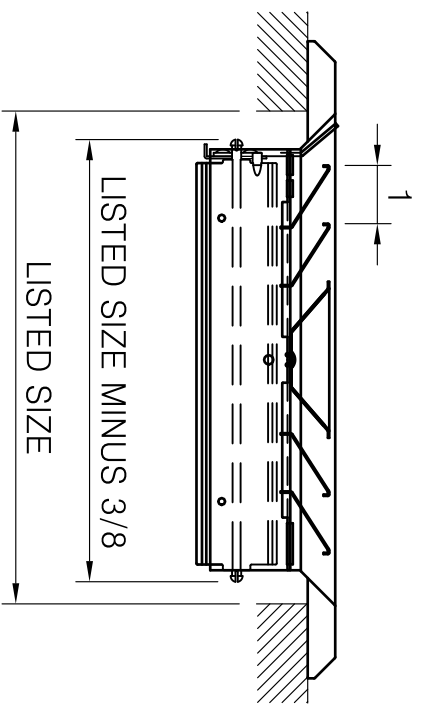
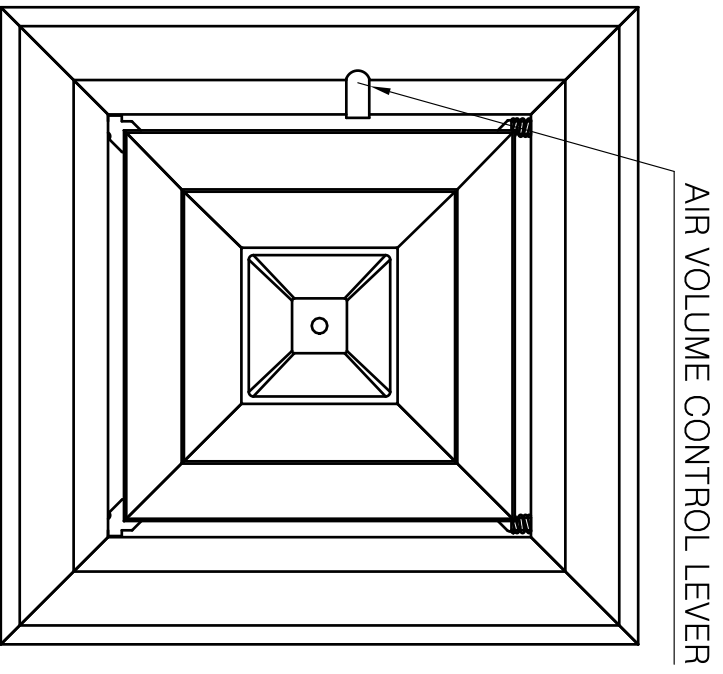


402114 Available Sizes (In.)		WIDTH				
		6	8	10	12	14
HT	6	●				
	8		●			
	10			●		
	12				●	
	14					●



**402114-Steel Removable Square Diffuser With Damper**

- Steel construction
- 4-Way Pattern
- Core easily removable with spring loaded latches—no tooling required
- Inconspicuous fingertip lever for air volume control
- Durable coating
- Available finish: White